

DEUTSCH · **ENGLISH** · FRANÇAIS

USER GUIDE

PIEGA CONNECT

Premium Wireless by PIEGA

EXPECT MORE

OPERATING INSTRUCTIONS

Premium Wireless by PIEGA

CONTENTS

| | | | |
|---|----|---|----|
| Important Safety Instructions | 4 | 2) Operating elements settings..... | 25 |
| Operating elements of the PIEGA connect | 6 | 3) Power supply to the PIEGA connect..... | 27 |
| Overview | 6 | 4) Unpack and set up the speaker | 27 |
| Description of the operating elements of the PIEGA connect | 8 | 5) Power supply to the speaker..... | 27 |
| Volume 1 | 8 | 6) Speaker settings..... | 27 |
| Input 2 3 4 5 | 10 | 7) Connection of Bluetooth devices (optional)..... | 27 |
| Determination of input source and priority 5 | 11 | 8) Your system is ready | 27 |
| Group 6 7 | 13 | Connection of the subwoofer (peripheral equipment)..... | 28 |
| Wireless 8 | 13 | 1) Introduction | 28 |
| Output 9 | 14 | 2) Connecting the PIEGA connect to a subwoofer..... | 28 |
| Service 10 | 14 | Using several PIEGA connect systems..... | 29 |
| Power 11 | 15 | As active speaker | 31 |
| Volume control 12 | 15 | 1) Playback device..... | 31 |
| Bluetooth pairing 13 | 16 | 2) Unpack and set up the speaker..... | 31 |
| Operating elements of the PIEGA speaker | 17 | 3) Speaker settings..... | 31 |
| Overview | 17 | 4) Connecting the speaker to the playback device | 32 |
| Description of the operating elements of the PIEGA speaker | 18 | 5) Power supply to the speaker..... | 32 |
| Group 1 2 | 18 | Operation | 33 |
| Speaker position 3 4 | 18 | General..... | 33 |
| Input 5 | 21 | Bluetooth function and priority | 33 |
| Service 6 | 21 | Overview of the status displays..... | 35 |
| Supply 7 8 | 21 | Technical data..... | 36 |
| Installation instructions..... | 22 | PIEGA connect | 36 |
| Wireless..... | 24 | PIEGA wireless speaker | 37 |
| 1) Connection between playback device and PIEGA connect | 24 | FAQs (frequently asked questions)..... | 38 |
| | | Declaration of Conformity | 40 |

IMPORTANT SAFETY INSTRUCTIONS

1. Read these instructions.
2. Keep these instructions.
3. Observe all warnings.
4. Follow all instructions.
5. Do not use this apparatus near water.
6. Clean only with dry soft cloth.
7. Do not install near any heat sources such as radiators, heat registers, stoves, or other devices that produce heat.
8. Ensure that the power cable is not stepped on or pinched, particularly at plugs, convenience receptacles, and wherever cables exit apparatuses.
9. Only use attachments/accessories that are approved by the manufacturer.
10. Do not circumvent the safety purpose of the polarized type plug. If the provided plug does not fit into your outlet, consult an electrician for replacement of the obsolete outlet.
11. Unplug this apparatus during lightning storms or when unused for long periods of time.
12. Only entrust qualified service personnel with servicing activities. Servicing is required when the apparatus has been damaged in any way, for example if the power-supply cable or plug is damaged, liquid has been spilled, objects have fallen into the apparatus, the apparatus has been exposed to rain or moisture, does not operate normally, or has been dropped.
13. The mains plug should be easily accessible to disconnect the equipment.
14. Warning: To reduce the risk of fire and electric shock, do not expose this apparatus to rain or moisture.
15. Do not expose the apparatus to dripping or splashing and do not place objects filled with liquids, such as vases, on the apparatus.
16. 150 mm minimum distances around the apparatus for sufficient ventilation.
17. The ventilation should not be impeded by covering the ventilation openings with items. Such as newspapers, table-cooths, curtains, etc.
18. No naked flame source, such as lighted candles, should be placed on the apparatus.
19. The use of apparatus in tropical and moderate climates.

WARNING



The symbol is intended to alert the user to the presence of uninsulated dangerous voltage within the product's enclosure that may be of sufficient magnitude to constitute risk of fire and electric shock.

The symbol is intended to alert the user to the presence of important operating and maintenance instructions in the literature accompanying this product.

PIEGA wireless speakers **RISK OF ELECTRIC SHOCK! DO NOT OPEN!** If the speakers are connected to the mains voltage, a dangerous electrical voltage is present inside the speakers

- Use the supplied power cable to connect the speakers to the mains voltage. Make sure that the power supply cable is not damaged; replace it with a new one if it has been damaged.
- To reduce the risk of electric shock, do not remove the back panel and never open the speaker housing. Do not expose the speakers to rain or moisture. No inside parts can be serviced by users. Refer servicing to qualified personnel.
- Do not operate defective speakers and disconnect defective speakers from the mains voltage. Please contact your PIEGA distributor if you experience any problems.

Never place a speaker set in an unstable location. A speaker set may fall, causing serious personal injury or death. Many injuries, particularly to children, can be avoided by taking simple precautions such as:

- Using cabinets or stands recommended by the manufacturer of the speaker set.
- Only using furniture that can safely support the speaker set.
- Ensuring the speaker set is not overhanging the edge of the supporting furniture.
- Not placing the speaker set on tall furniture (for example, cupboards or bookcases) without anchoring both the furniture and the speaker set to a suitable support.
- Not placing the speaker set on cloth or other materials that may be located between the speaker set and supporting furniture.
- Educating children about the dangers of climbing on furniture to reach the speaker set or its controls.

If your existing speaker set is being retained and relocated, the same considerations as above should be applied.

UNPACKING

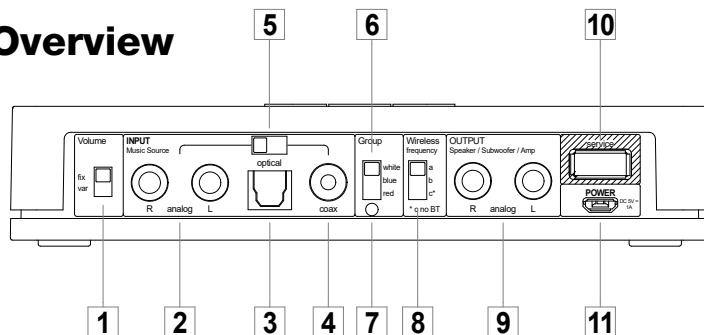
After unpacking, make sure the system is complete and check the device and all accessories for transport damage. Transport damage may be expected if the packaging is already showing severe wear. Do not attempt to start up a damaged device. If the contents are incomplete or damaged, please contact your PIEGA distributor.

PACKAGING MATERIAL


The packaging has been designed to be used again, as long as it has not been damaged during transport. Keep the packaging and use the original packaging for all further transport.

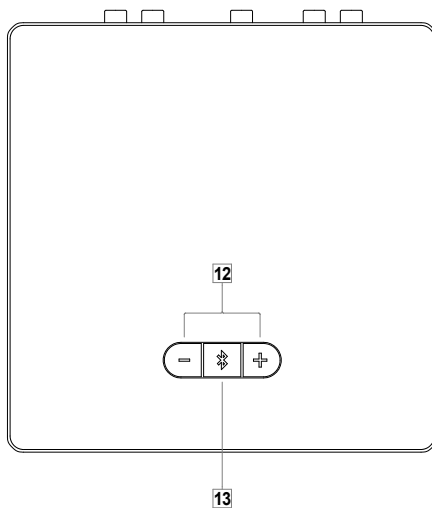
OPERATING ELEMENTS OF THE PIEGA CONNECT

Overview



| Volume | | |
|----------|-------------|---|
| 1 | fix / var | Fixed (maximum) volume Variable volume. Adjust using buttons +/- 12 |
| Input | | |
| 2 | Analog | Input terminal for analog signal sources |
| 3 | Optical | Optical/digital input |
| 4 | Coax | Coaxial/digital input |
| 5 | Select | Determination of input source (analog / optical / coax) and priority |
| Group | | |
| 6 | Select | Group switch (white 48kHz / blue 48kHz / red 96kHz) |
| 7 | LED display | Group status display (white/blue/red) |
| Wireless | | |
| 8 | Select | Wireless frequency selector switch (2.4 / 5.2 / 5.8 GHz) |
| Output | | |
| 9 | Analog | Analog regulated output |
| Service | | |
| 10 | USB | Service connection |

| Power | | |
|----------|---|--|
| 11 | Micro USB | Power supply 5 V DC 1A |
| Top view | | |
| 12 | - / + | Volume control / LED display via buttons |
| 13 |  | Bluetooth pairing |



| Volume | | |
|--------|-------------|---|
| 14 | LED display | Display of connection status and group allocation |



DESCRIPTION OF THE OPERATING ELEMENTS OF THE PIEGA CONNECT

Volume 1

The "Volume" setting is used to activate or deactivate the volume control 12

fix = volume control deactivated. PIEGA connect uses the maximum volume.

This setting is suitable for use with playback devices with integrated volume control.
The following are examples of possible regulated sources:

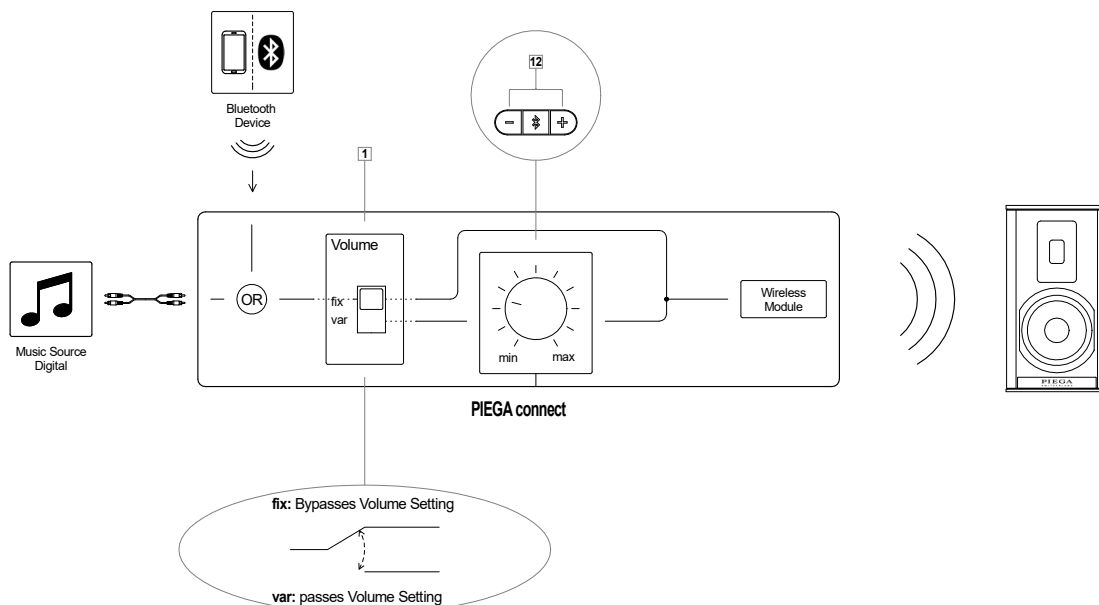
- Multiroom systems – the volume is controlled via the respective app.
- Connection via Bluetooth – the volume is controlled by the corresponding Bluetooth device.
- Network player with integrated volume control
- Television

var = volume control activated

This setting is suitable for use with unregulated playback devices.
Unregulated playback devices do not offer an option to adjust the volume using the playback device (signal output with maximum volume).
A few examples of possible unregulated sources are:

- CD player
- Record player (please note that depending on the model of the record player, an additional phono preamp may be required.)

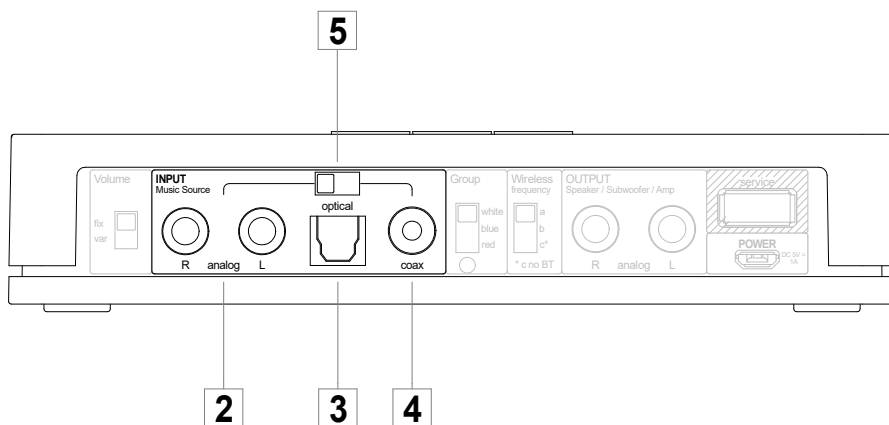
NOTE: Some playback devices can activate and deactivate the volume control independently.



Input 2 3 4 5

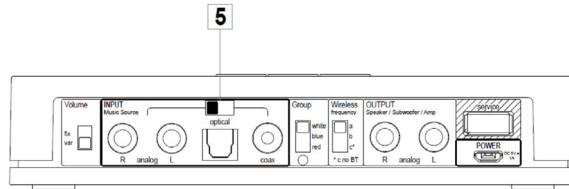
Connecting your music source / your playback device – PIEGA connect offers three different connection options for external playback devices.

| | Input | Terminal | Signal | Description |
|---|---------|----------|-------------------|--|
| 2 | Analog | RCA | Analog | Possible analog input sources / devices: <ul style="list-style-type: none"> - Record player - Headphone output / TV - CD player - Multiroom system - Network player |
| 3 | Optical | Toslink | S/PDIF Digital | Possible optical input sources / devices: <ul style="list-style-type: none"> - Multiroom systems often offer optical outputs - TV - Network player |
| 4 | Coax | RCA | S/PDIF Digital | Possible coaxial input sources / devices: <ul style="list-style-type: none"> - Multiroom systems often offer coaxial outputs - Network player |



Determination of input source and priority 5

The PIEGA connect has several options for determining the type of input source (analog, optical, coaxial). The input sources can be preset and prioritized for the desired application (e.g. setup with TV, subwoofer, network player, turntable, etc.). However, bluetooth has always the highest priority and therefore overrides all other input sources. Consequently, allowing an automatic switch from the input source to bluetooth.



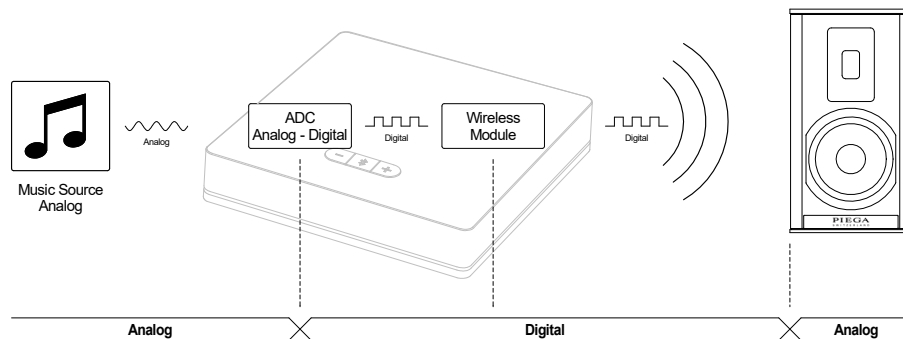
| | Analog | Optical | Coax |
|--|--------|---------|------|
| | 1 | 2 | 3 |
| | 3 | 1 | 2 |
| | 3 | 2 | 1 |

PIEGA recommends using a digital input wherever possible (3 or 4).

Using a digital input eliminates the need for a conversion (analog to digital) in the signal chain, leading to a better sound result.

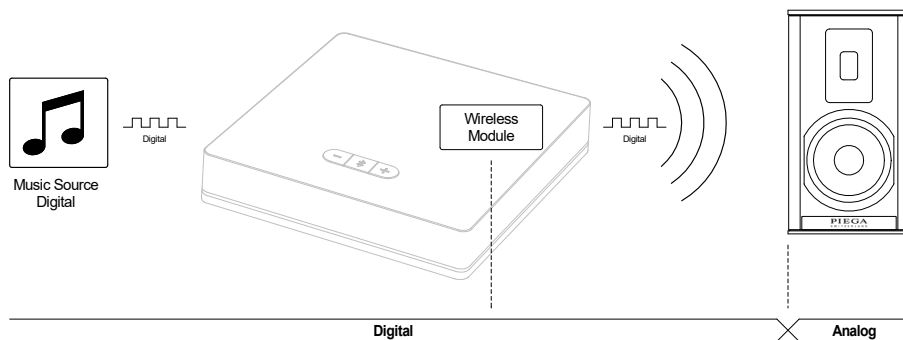
ANALOG SOURCE

If the music is in digital form (CD, streaming, etc.), it is converted into an analog signal by the playback device. However, PIEGA connect only processes digital signals internally. As a result, the analog signal must be re-converted into a digital signal.



DIGITAL SOURCE

Continuous digital signal processing



NOTE: In some playback devices such as televisions, the volume control of the playback device only functions via the analog connection. In this case, please observe the operating instructions for your playback device.

Group 6 7

The "Group" function is only required when using several PIEGA wireless systems (more than one PIEGA connect). The music signal is only sent to speakers within the same group. This ensures the smooth operation of up to three independent PIEGA wireless systems in one room/flat/house.

| GROUP | WIRELESS DATA TRANSMISSION |
|-------|----------------------------|
| white | 24 Bit / 48 kHz |
| blue | 24 Bit / 48 kHz |
| red | 24 Bit / 96 kHz |

The group display 7 shows the selected group colour and the connection status. This must correspond to the speaker in order to operate.

NOTE: We deliver our speakers and PIEGA connect with the group setting "white". When using a PIEGA wireless system, we recommend leaving the group setting as "white".

Wireless 8

The "Wireless" function is only required to eliminate any possible disturbances. This may include no connection or a lapse/ stuttering of the music playback. The PIEGA wireless system sets up an independent wireless network to transfer data from the PIEGA connect to PIEGA speakers. This means that the system is not reliant on your home WLAN. This ensures a continuous transfer of data.

Should the transmission be impaired by a neighbouring wireless network, the carrier frequency of the wireless signal can be adjusted.

Such an impairment can be determined as follows:

Your system is running smoothly, provided no clearly audible faults (interruptions, stuttering, etc.) can be made out in the music playback, or your speakers are unable to connect to the PIEGA connect.

The following carrier frequencies are supported:

- A: 5.2 GHz PIEGA recommends using this frequency whenever possible.
- B: 5.8 GHz
- C: 2.4 GHz (also used by Bluetooth, which may cause faults when it is combined with the wireless system)

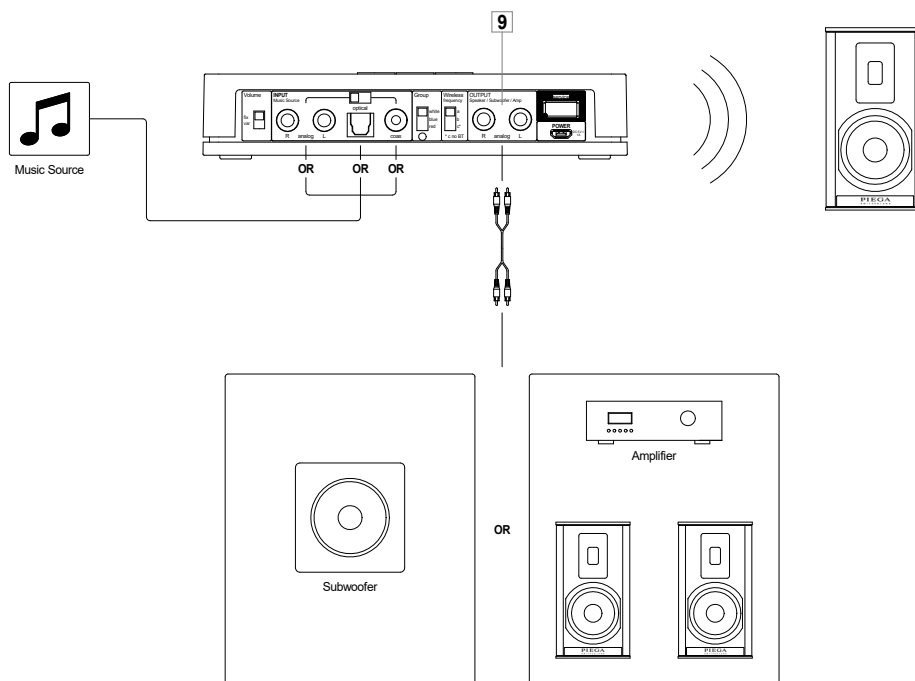
Output 9

A subwoofer or an additional active speaker can be added using the Analog output.

PIEGA connect offers an analog output in addition to the wireless music transfer.

The analog signal corresponds to the wireless signal, i.e. any volume regulation is also applied to the analog output.

Possible setup with subwoofer OR active speakers OR existing stereo system.



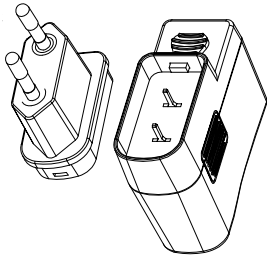
Service 10

Any required software updates can be loaded via the USB service connection.

You can find the operating software on our website www.piega.ch.

Power 11

Please use the adapter and micro USB cable included in the delivery.

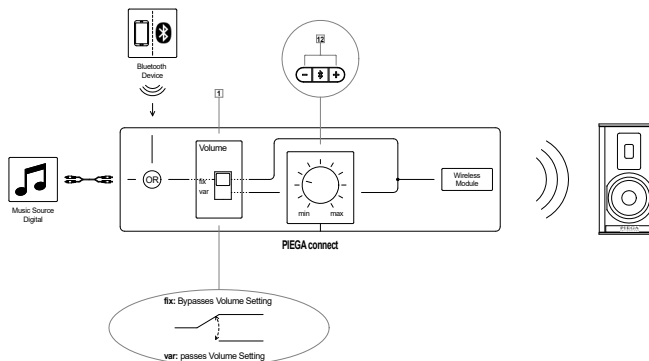


Alternatively, you can use a standard commercial USB adapter which meets the following specifications:

- 5 V DC
- 1 A

Volume control 12

Setting the volume on the PIEGA connect (top side of the device) – the volume control 12 affects the wireless music signal as well as the analog output 9.



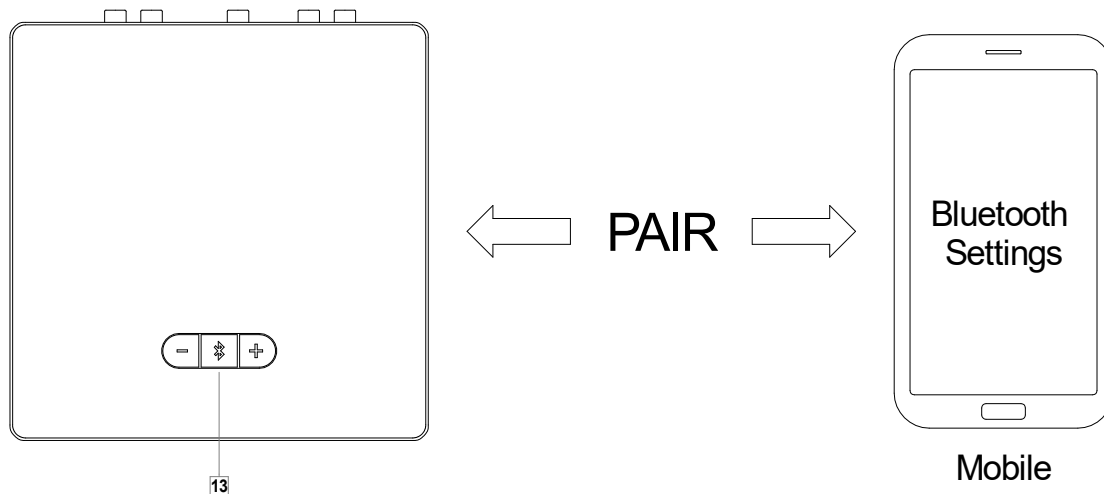
NOTE: For more information regarding volume, please go to point *"Volume", page 8*.

Bluetooth pairing 13

The Bluetooth pairing establishes the connection between the PIEGA speaker system and your smartphone, tablet, etc. and enables the radio link. You must carry out the pairing process between a device and the PIEGA connect in order to establish a BLUETOOTH connection for the first time.

Upon pressing the pairing button 13, the PIEGA connect will be recognised by your BLUETOOTH device, allowing a connection to be established.

Flashing of the pairing button 13 signals pairing mode.

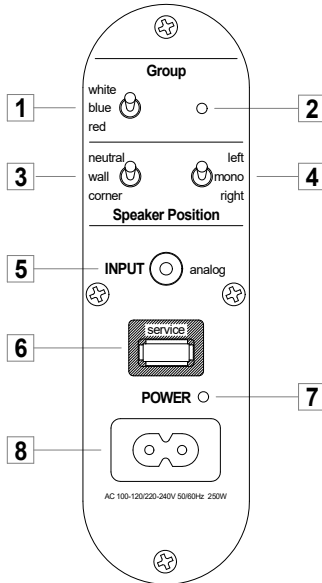


NOTE: The PIEGA connect supports a simultaneous connection of up to two Bluetooth devices.

WARNING: If two Bluetooth devices are already connected to the PIEGA connect, the pairing function can no longer be carried out. In order to enable pairing, the Bluetooth connection with one of the two devices must be disconnected.

OPERATING ELEMENTS OF THE PIEGA SPEAKER

Overview



| Group | | |
|------------------|--------------------------|---|
| 1 | Select | Group switch |
| 2 | Display | Group status display (white/blue/red) |
| Speaker position | | |
| 3 | Setup | Adjusting the speaker with regard to the setup location (neutral/wall/corner) |
| 4 | Channel selection switch | Allocating the position of the speaker (left/mono/right) |
| Input | | |
| 5 | Analog input | Analog input |
| Service | | |
| 6 | USB | Service connection |
| Power | | |
| 7 | LED display | Operating status display |
| 8 | Power socket | Supply AC 100 – 120 / 220 – 240 V. 50 / 60 Hz. |

DESCRIPTION OF THE OPERATING ELEMENTS OF THE PIEGA SPEAKER

Group 1 2

This function is only required when using several PIEGA wireless systems (more than one PIEGA connect). Ensure that the same group is selected as with your PIEGA connect.

The music signal is only sent to speakers within the same group. This ensures the smooth operation of up to three independent PIEGA wireless systems in one room/flat/house.

The group display 2 shows the selected group colour and the connection status. This must correspond to the respective PIEGA connect.

You can find additional information about the connection status in overview of the status displays.

NOTE: More than two speakers can be operated simultaneously in the same group. Our speakers and the PIEGA connect are delivered with the "white" group setting as standard.

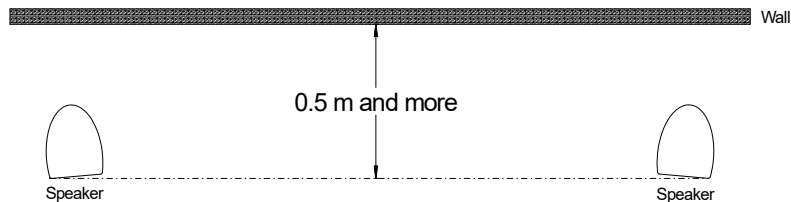
Speaker position 3 4

Various speaker setups and the position in the room can be determined using the "Speaker position" function.

SETUP 3

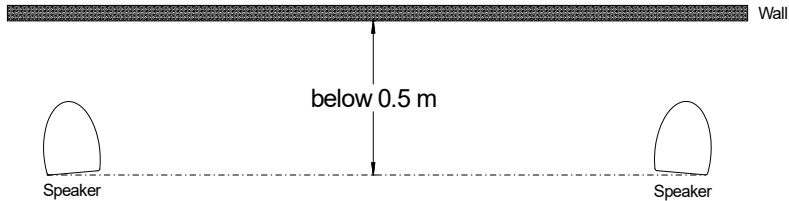
The speaker's position in the room has an impact on the music playback. This is why we offer three different speaker setups.

NEUTRAL:



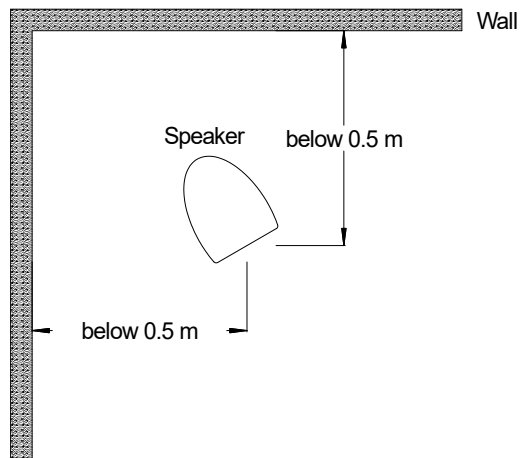
- Speaker located 0.5 m or farther from the rear wall
- Neutral frequency response

WALL:



- Speaker located 0.5 m or closer from the rear wall
- Frequency response with a slight drop in the bass range to counteract the excessive bass caused by the setup.

CORNER:

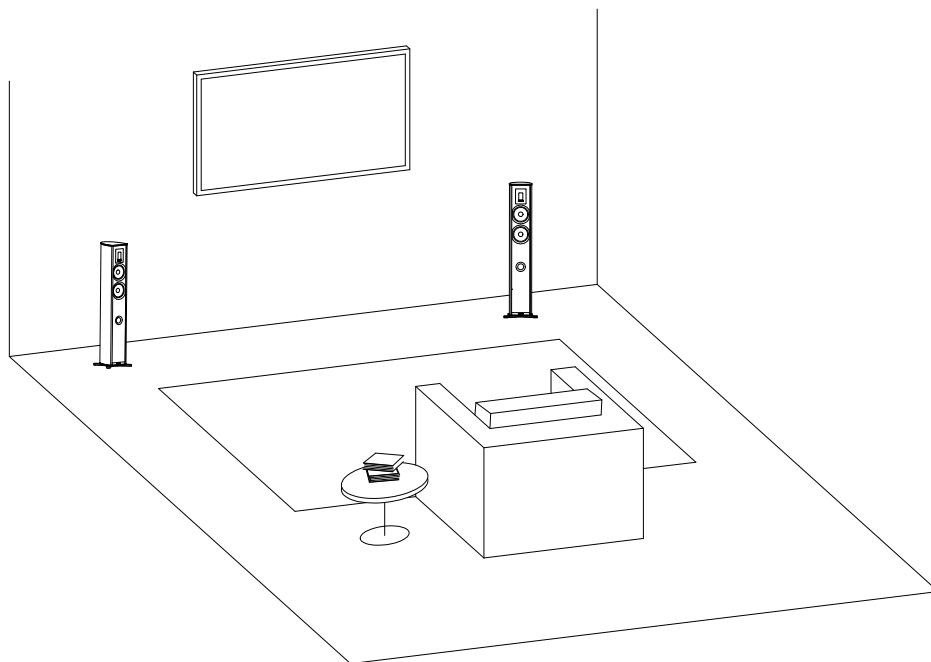


- Speaker located in the corner of a room
- Frequency response with a significantly reduced bass range to counteract the excessive bass caused by the setup
- Also suitable in combination with a subwoofer

SETUP POSITIONS 4

Determining the speaker position (left/right).

In wireless operation, both audio tracks (left and right channel) reach the speaker. This is why the respective position in the stereo setup must be assigned to the speaker.



You can also select the "Mono" setting. We recommend this setting only if one speaker is being used in the room (for example in the kitchen, bathroom, etc.).

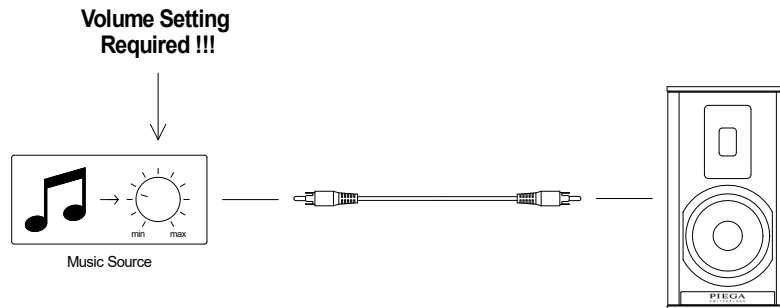
In the "Mono" setting, both the left AND right channels are played.

Input 5

“Input” refers to an analog music signal / analog input.

The speakers from the PIEGA wireless series can also be used solely as active speakers, i.e. instead of using wireless signal transmission, the speaker can also be connected using an RCA (cinch) cable.

WARNING: Only use sources with integrated volume control for this configuration.



In this configuration, the wireless unit in the speaker is disabled and thus no longer sends or receives data.

NOTE: Only plug in or unplug the cable when the device is switched off.

Service 6

Any required software updates can be loaded via the USB service connection.

You can find the operating software on our website www.piega.ch.

Supply 7 8

Connect 8 the speaker using the power cable included.

AC 100 – 120 / 220 – 240 V, 50 / 60 Hz.

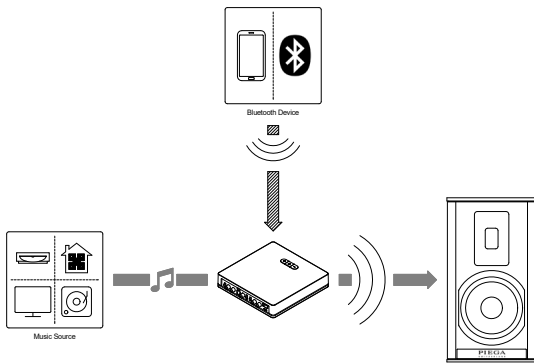
Operating 7 status display. You can find additional information in the section “[Overview of the status displays](#)”, [page 35](#).

INSTALLATION INSTRUCTIONS

Overview

WIRELESS SYSTEM

for more details go to [page 24](#)



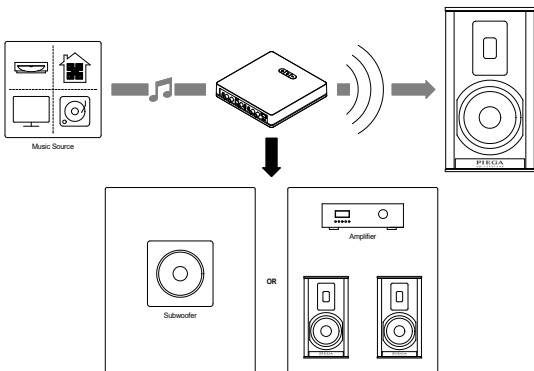
Wireless connection to the speaker and Bluetooth access

System comprising:

- Playback device (music source)*
- PIEGA connect for wireless signal transmission
- Connection of Bluetooth devices
- PIEGA wireless speaker

CONNECTION OF THE SUBWOOFER (PERIPHERAL EQUIPMENT)

for more details go to [page 28](#)



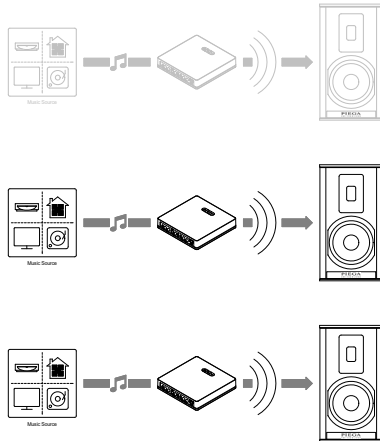
Extension of your wireless system with a subwoofer

System comprising:

- Playback device (music source)*
- PIEGA connect for wireless signal transmission
- Connection of Bluetooth devices
- PIEGA wireless speaker
- Subwoofer / amplifier / ...

USING SEVERAL PIEGA CONNECT SYSTEMS

for more details go to [page 29](#)



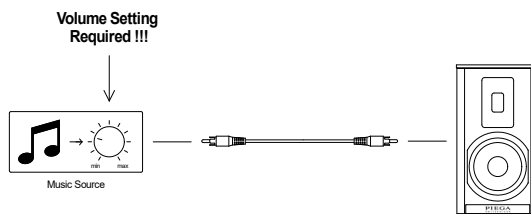
Installation of several PIEGA connect systems in the same room / home

System comprising:

- Playback devices (music source)*
- More than one PIEGA connect for wireless signal transmission
- PIEGA wireless speaker

AS ACTIVE SPEAKER

for more details go to [page 31](#)



Wired connection to the speaker
(without Bluetooth access)

System comprising:

- Playback device (music source)*
- PIEGA wireless speaker
- Connection cable (RCA)

*Some examples of playback devices:



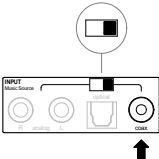


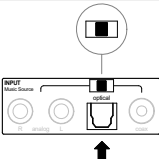


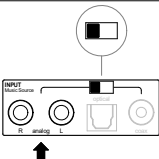
- Interface to your existing multiroom system, often called "connect"
- TV
- Music streamer

Wireless

System comprising:

- Playback device (music source)
- PIEGA connect for wireless signal transmission
- Connection of Bluetooth devices
- PIEGA wireless speakers

1) CONNECTION BETWEEN PLAYBACK DEVICE AND PIEGA CONNECT

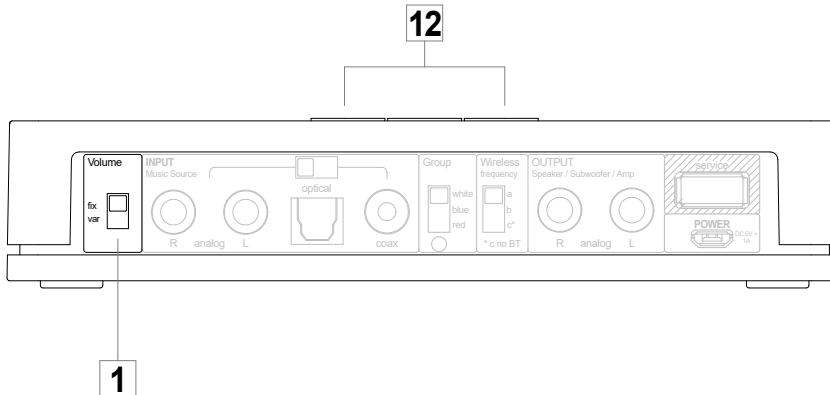
| Output Playback Device | Cable | Input PIEGA connect |
|--|---|--|
| DIGITAL OUT Coax Coaxial S/PDIF  |  |  |
| DIGITAL OUT Optical  |  |  |
| ANALOG OUT Analog  |  |  |

We recommend selecting a digital connection whenever possible:

- Coax / coaxial (S/PDIF)
- Optical

2) OPERATING ELEMENTS SETTINGS

Volume



This setting is used to activate or deactivate the volume control **12**.

fix Generally to be used in combination with:

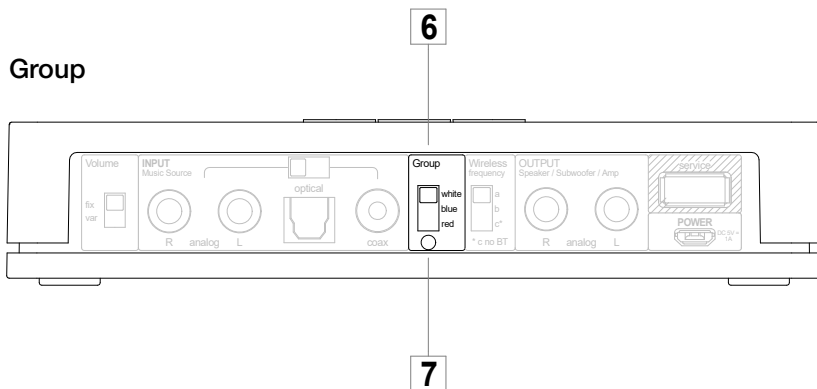
- Multiroom systems – the volume is normally controlled via the respective app.
- Connection via Bluetooth – the volume is normally controlled via the corresponding Bluetooth device.
- Network player with integrated volume control
- Television

var Generally to be used in combination with:

- CD player
- Record player (please note that depending on the model of the record player, an additional phono preamp may be required.)

You can find additional information under point **1** "Volume", page 8.

NOTE: Some playback devices can activate and deactivate the volume control.

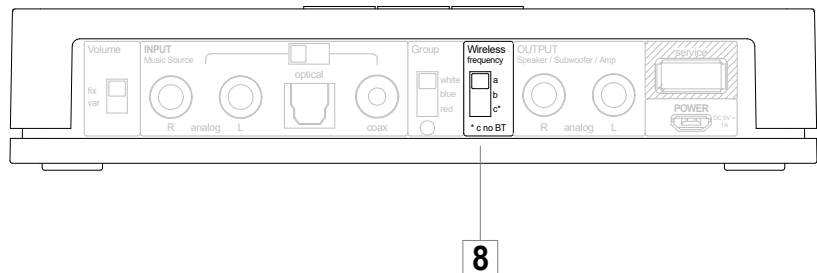


This function is only required when using several PIEGA wireless systems (more than one PIEGA connect). You can find additional information about this topic in the section [“Using several PIEGA connect”](#).

The group setting must correspond to the speakers used. We recommend the “white” group setting (default selection).

You can find additional information under point **6** **7** [“Group”, page 13](#) and in the section [“Using several PIEGA connect”, page 29](#).

Wireless



This function is only required to eliminate any possible disturbances.
This may include no connection or a lapse/stuttering of the music playback.

We recommend the setting “a” (default selection).

You can find additional information under point **8** [“Wireless”, page 13](#).

3) POWER SUPPLY TO THE PIEGA CONNECT

Connect the included power supply unit to the power supply socket **11**. A successful supply is indicated when the LED status display flashes.

4) UNPACK AND SET UP THE SPEAKER

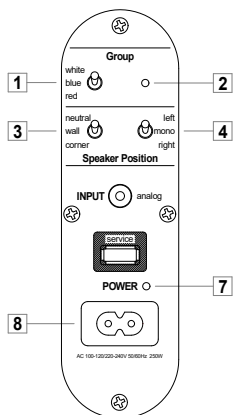
Please observe the operating instructions and warranty information included with the speakers.

Place the speakers in the desired setup location. You can also find hints and tips in the included operating instructions and warranty information.

5) POWER SUPPLY TO THE SPEAKER

Connect the speaker to an outlet using the power cable provided. The LED status display **7** will indicate a successful power supply.

6) SPEAKER SETTINGS



Group **1** **2**:

Ensure that the group setting corresponds to that of your PIEGA connect.

Sound tuning **3**:

Three different setups are available.

- Neutral
- Wall (setup near a wall)
- Corner (speaker in a room corner)

Stereo **4**:

Adjust the position of the speaker from the point of view of the listening location.

You can find additional information under Point **1** **2** "Group" and **3** **4** "Speaker position".

7) CONNECTION OF BLUETOOTH DEVICES (OPTIONAL)

Upon pressing the pairing button **13**, the PIEGA connect will be recognised by your BLUETOOTH device, allowing a connection to be established.

Flashing of the pairing button **13** signals pairing mode.

You can find additional information under point **13** "Bluetooth pairing", page 16.

8) YOUR SYSTEM IS READY

Connection of the Subwoofer (peripheral equipment)

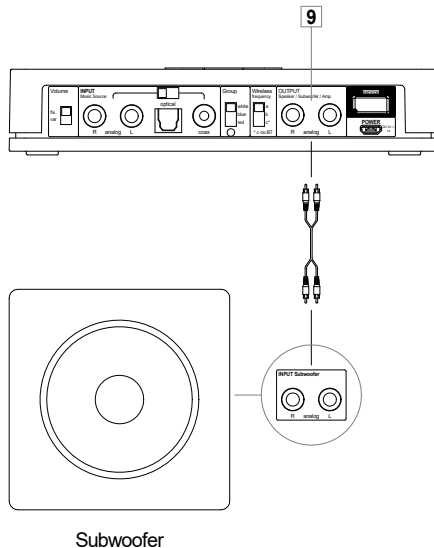
System comprising:

- Playback device (music source)*
- PIEGA connect for wireless signal transmission
- Connection of Bluetooth devices
- PIEGA wireless speaker

1) INTRODUCTION

You can extend your existing PIEGA wireless system with a subwoofer or peripheral equipment of your choice. PIEGA connect offers an analog output including volume control. You can find additional information under point **9** "[Output](#)", page 14".

2) CONNECTING THE PIEGA CONNECT TO A SUBWOOFER



Use a standard commercial RCA (cinch) cable to connect a subwoofer.

Using several PIEGA connect systems

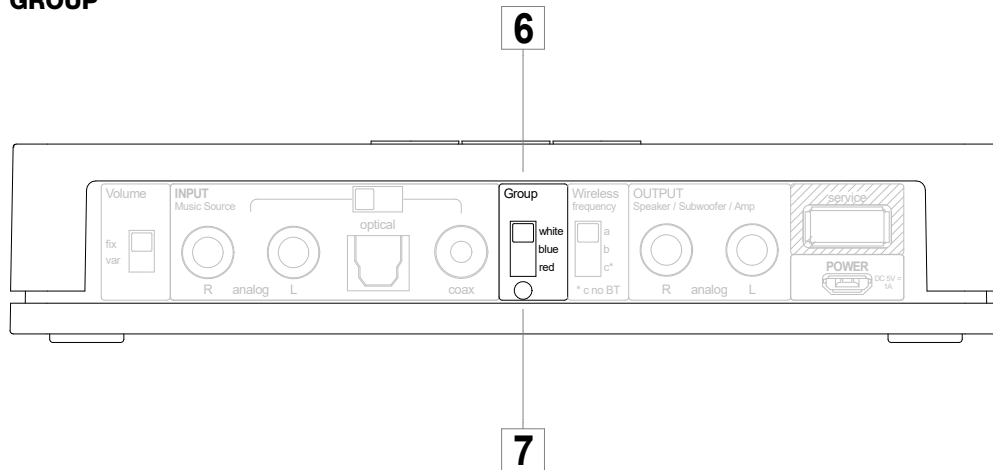
System comprising:

- Playback devices (music source)
- More than one PIEGA connect for wireless signal transmission
- PIEGA wireless speaker

When using several PIEGA connect systems in one room/home, please follow the installation instructions found in the "Wireless" section.

Except under point **2** "*Operating element settings*", page 25, the following settings in the "Group" section must be observed.

GROUP



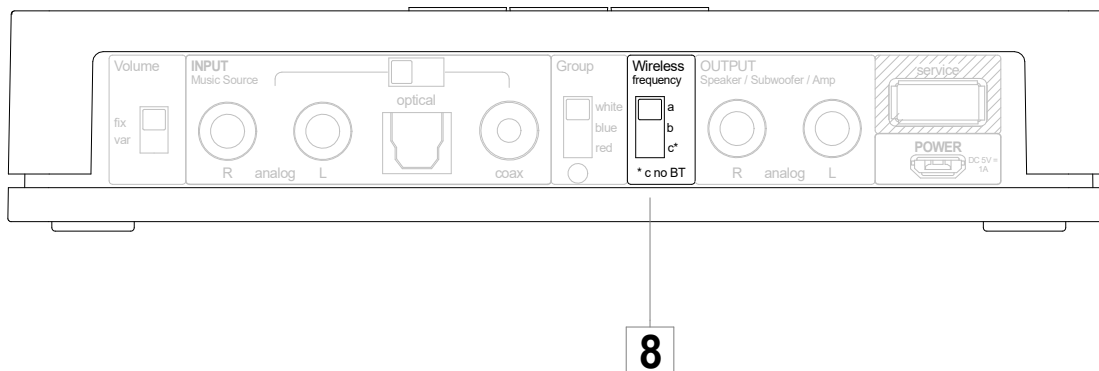
If there are several PIEGA connect in wireless range, the group function ensures a smooth operation. A maximum of three PIEGA connect systems can be operated in the same room (wireless range).

You can find additional information under Point **6** **7** "*Group*", page 13.

WIRELESS

Using several PIEGA connect could lead to transmission problems. For this reason, we recommend using different frequencies whenever possible.

You can find additional information under Point **8** "*Wireless*", page 13.



Example for setup:

| PIEGA connect | Group | Wireless | Example, possible room |
|-----------------|-------|----------|------------------------|
| PIEGA connect 1 | White | a | Living room |
| PIEGA connect 2 | Blue | a | Bedroom |
| PIEGA connect 3 | Red | b | Kitchen |

As active speaker

System comprising:

- Playback device (music source)*
- PIEGA connect for wireless signal transmission
- Connection of Bluetooth devices
- PIEGA wireless speaker

1) PLAYBACK DEVICE

In this configuration, the volume must be controllable via the connected playback device.

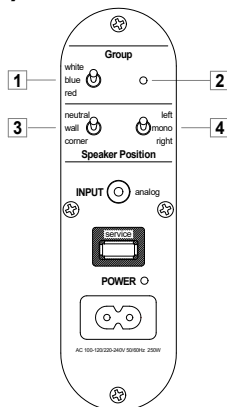
2) UNPACK AND SET UP THE SPEAKER

Please observe the operating instructions and warranty information included with the speakers.

Place the speakers in the desired setup location. You can also find hints and tips in the included operating instructions and warranty information.

WARNING: Only power the speaker after you have finished configuring the settings and establishing the connection with the playback device.

3) SPEAKER SETTINGS



Group **2**

Not required for this application.

Sound tuning **3**

Three different setups are available.

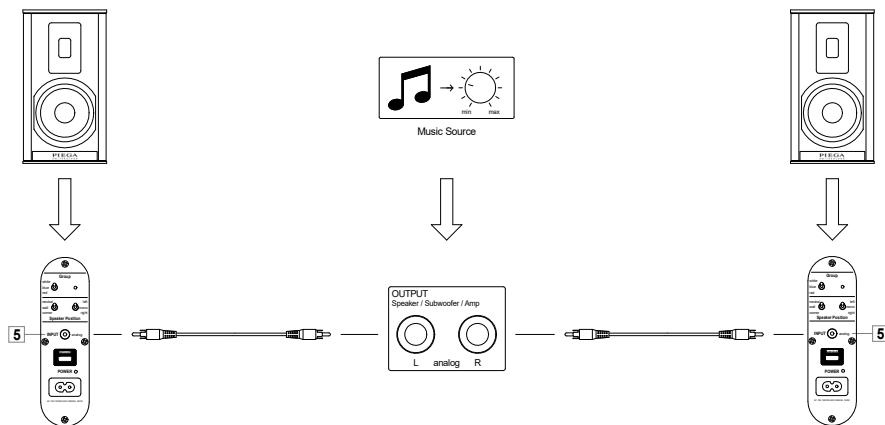
- Neutral
- Wall (setup near a wall)
- Corner (speaker in a room corner)

Stereo **4**

Not required for this application.

NOTE: You can find additional information under point **1** **2** *"Group", page 13,* and **3** **4** *"Speaker position", page 16.*

4) CONNECTING THE SPEAKER TO THE PLAYBACK DEVICE



Speaker
Left-Channel

Music Source

Speaker
Right-Channel

Connect the analog output of your playback device to the input **5** on the speaker terminal. Use a standard commercial RCA (cinch) cable to do this.

Make sure the cabling of the speaker is correct (left and right channel).

WARNING: Any manipulations of the input terminal **5** of the speaker must be carried out when the device is switched off (disconnect power supply).

5) POWER SUPPLY TO THE SPEAKER

Connect the speaker to an outlet using the power cable provided. The LED display **7** will indicate a successful power supply.

OPERATION

General

Thanks to the automatic standby function, the PIEGA wireless system operates without an on/off switch. As soon as a music signal appears, the system starts with minimal delay. If there is no music signal, the PIEGA wireless speakers switch to standby mode after approximately 10 minutes.

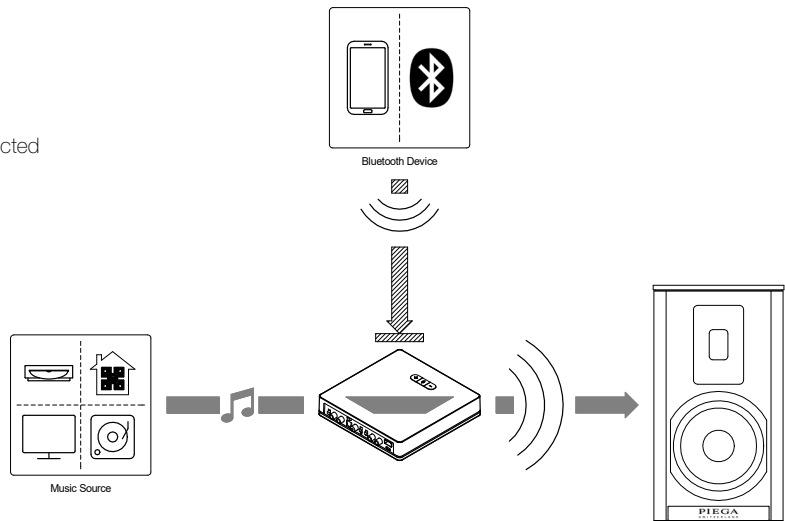
Bluetooth function and priority

Priority is always given to Bluetooth playback, i.e. as soon as music is played via Bluetooth, the playback device connected via cable is disconnected and the Bluetooth signal is transmitted via the speaker.

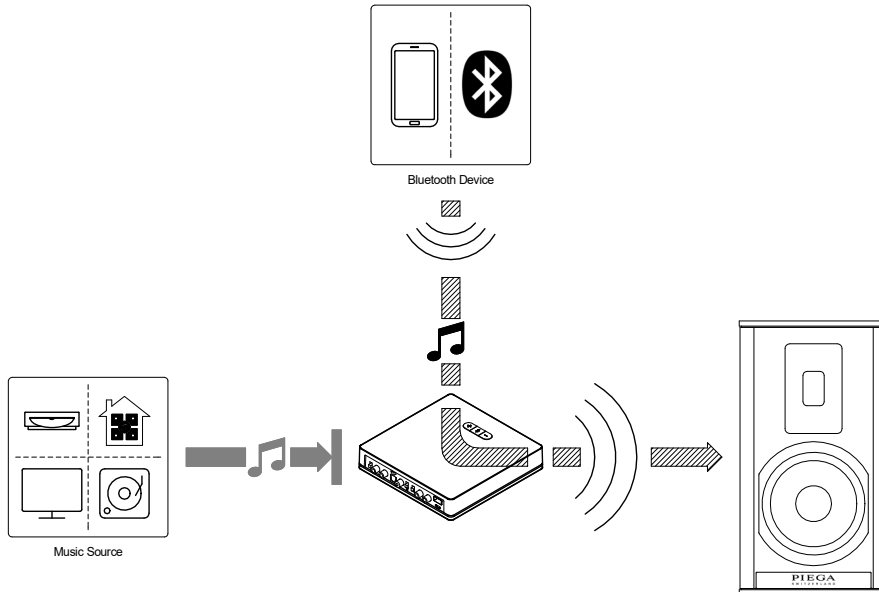
Example:

1. Music is played by an external playback device (music source):
 - a. CD player
 - b. Multiroom system
 - c. TV
 - d. Record player
 - e. ...

2. A Bluetooth device is connected to the PIEGA connect.
The music playback stops / does not start.



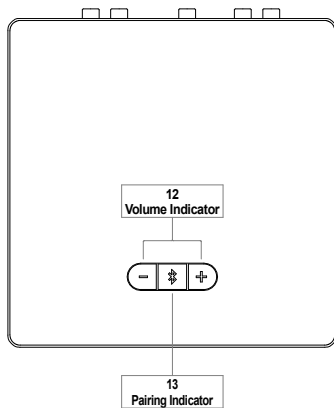
3. Music playback starts on your Bluetooth device
4. The music playback of the external playback device is interrupted
5. Music from your Bluetooth device is played



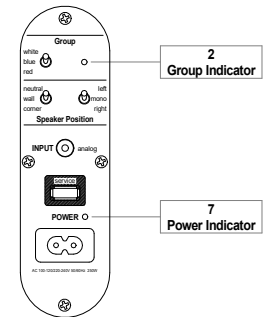
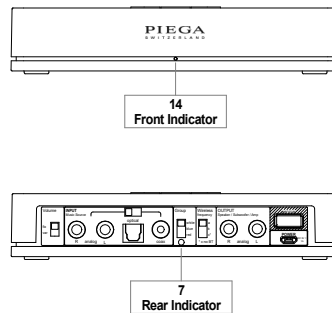
6. As soon as the music playback on your Bluetooth device stops, the PIEGA connect switches back to the external playback device. The switchover speed is significantly dependent on the Bluetooth device used.

OVERVIEW OF THE STATUS DISPLAYS

PIEGA connect



PIEGA Speaker



| Setup | Status | PIEGA connect | | | | PIEGA Speaker | |
|----------------|---|--------------------------|----------------------------|-----------------------------|------------------------------|---------------------------|---------------------------|
| | | "7 Rear Indicator" | "14 Front Indicator" | "12 Volume Indicator" | "13 Pairing Indicator" | "2 Group Indicator" | "7 Power Indicator" |
| Wireless | Standby | ON | ON | OFF | OFF | ON | ON red |
| | Normal operation | ON | ON | OFF | OFF | ON | ON white |
| | Connection error, no speaker connected | Flashing | Flashing | OFF | OFF | Flashing | ON white |
| | Connection error, at least 1 speaker connected to PIEGA connect | ON | ON | OFF | OFF | Flashing | ON white |
| | Bluetooth Pairing | ON | ON | OFF | Flashing | ON | ON white |
| | Volume setting | ON | ON | ON while button pushed | OFF | ON | ON white |
| Active Speaker | Standby | - | - | - | - | OFF | ON red |
| | Normal operation | - | - | - | - | OFF | ON white |

TECHNICAL DATA

PIEGA connect

| | |
|-----------------------------------|---|
| Model | PIEGA connect |
| Analog input | Line in (RCA) |
| Digital inputs | Optical / coax (S/PDIF) |
| Analog output | Line out (RCA) |
| Analog input resolution | 24 Bit / 96 kHz |
| Analog output resolution | 24 Bit / 96 kHz |
| Bluetooth | aptX, A2DP, AVRCP |
| Wireless frequencies | A: 5.2 GHz, B: 5.8 GHz, C: 2.4 GHz |
| Wireless data transmission | Group White/Blue: 24Bit / 48kHz Group Red: 24Bit / 96kHz |
| Dimensions (H x W x D) | 33 x 162 x 167 mm |
| Weight | 650 g |
| Power supply | 5 V DC / 1 A |

PIEGA wireless speaker

| Model | 301 | 501 | 701 |
|---|--|--|---------------------------------------|
| Frequency response | 39 Hz – 35 kHz | 36 Hz – 35 kHz | 34 Hz – 35 kHz |
| Amplifier power | 100 W | 180 W | 200 W |
| Dimensions (H x W x D) | 34 x 18 x 23 cm | 101 x 16 x 21 cm | 106 x 18 x 23 cm |
| Weight | 9 kg | 21 kg | 28 kg |
| Design | 2-way system shelf speaker | 2 ½-way system column speaker | 2 ½-way system column speaker |
| Assembly | 1 x LDR 2642 MKII ribbon 1 x 140 mm MDS | 1 x LDR 2642 MKII ribbon 2 x 120 mm MDS | 1 x LDR 3056 ribbon 2 x 140 mm MDS |
| Analog input resolution | 24 Bit / 192 kHz | 24 Bit / 192 kHz | 24 Bit / 192 kHz |
| Standby power consumption RCA / wireless | 500 mW / 1W | 500 mW / 1W | 500 mW / 1W |
| Supply voltage | AC100-120/ 220-240V~50/60Hz | AC100-120/ 220-240V~50/60Hz | AC100-120/ 220-240V~50/60Hz |
| Maximum ambient temperature | 45° C | 45° C | 45° C |

FAQS

(frequently asked questions)

| Problem | Possible solution | Additional information |
|--|---|--|
| The LED displays of the PIEGA connect do not light up | Check if the device is properly connected to the mains. Please use the provided adapter for this purpose. | Power 11 |
| The LED display 7 of the PIEGA wireless speaker does not light up | Check if the device is properly connected to the mains. | Supply 7 8 |
| The LED displays 7 + 14 of the PIEGA connect are flashing | No speaker is connected to the PIEGA connect. | |
| | Check the group setting. The PIEGA connect and speakers must use the same group (Group 6 ; white / blue / red). | Group 6 7 Group 1 2 |
| | The distance between the speaker and the PIEGA connect may be too far. Operating the PIEGA connect in a metal cabinet may significantly restrict the maximum wireless range. | |
| The LED display 2 of the PIEGA wireless speaker is flashing | There is no connection to the PIEGA connect. | |
| | Check the group setting. The PIEGA connect and speakers must use the same group (Group 6 ; white / blue / red). | Group 1 2 |
| | The distance between the speaker and the PIEGA connect may be too far. Operating the PIEGA connect in a metal cabinet may significantly restrict the maximum wireless range. | |

FAQS

(frequently asked questions)

| Problem | Possible solution | Additional information |
|---|---|---|
| Although the LED displays on the speakers and PIEGA connect light up without interruption, there is no music. | <p>Ensure that your playback device is playing music.</p> <p>Check if the playback device is connected to PIEGA connect.</p> <p>Playback device Use the output to connect to the PIEGA connect.</p> <p>PIEGA connect Does the switch position (select 5) correspond to the selected input?</p> | Input 2 3 4 5 |
| | <p>Check the volume setting (volume 1) on your PIEGA connect.</p> <p>If the "var" setting is selected, the volume may need to be increased using the button 12 .</p> | Volume 1 |
| Music playback stops, with interruptions | <p>Wireless connection is not stable.</p> <p>The wireless selection switch (select 8) can be used to select alternative frequencies which may result in an improvement.</p> | Wireless 8 |
| | <p>A pairing process must be carried out during the first connection via Bluetooth.</p> <p>PIEGA connect can connect to a maximum of two devices via Bluetooth simultaneously. If two devices are already connected, an additional device cannot be connected. The pairing function is also disabled in this configuration.</p> | Bluetooth pairing 13 |

DECLARATION OF CONFORMITY

PIEGA AMP speaker is in conformity with the following directives:

LVD:2014/35/EU

EMC:2014/30/EU

RED:2014/53/EU

ERP:2009/125/EU

ROHS:2011/65/EU

REACH:1907/2006/CE

ERP

PIEGA wireless speakers have two operation modes:

- WIFI input (wireless)

- Analog input

If the local RCA input of speaker is left open, the speaker is set to WIFI mode. By setting the speaker to the same group (wireless group) as PIEGA connect, a connection from the speaker to PIEGA connect will be established automatically.

Analog mode is active when connecting a music source to local RCA input.

NETWORK STANDBY

After 10 minutes without any incoming music signal from WIFI input (wireless), the speaker will automatically go into a network standby mode. This is indicated by a red light on operating status display, and the power consumption goes down to 1W.

The speaker will automatically wake up when it receives a music signal, but we encourage you to completely turn off your speaker when not in use for a longer time.

STANDBY

After 10 minutes without any incoming music signal from Analog input, the speaker will automatically go into a standby mode.

This is indicated by a red light on operating status display, and the power consumption goes down to less than 0.5W. The speaker will automatically wake up when it receives a music signal, but we encourage you to completely turn off your speaker when not in use for a longer time.